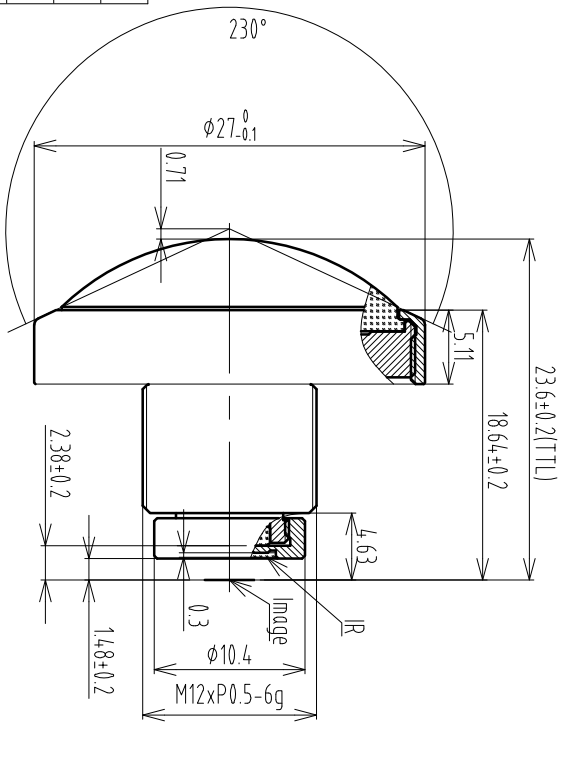


| | | |
|------------------------|------------|---------|
| Main Specification | | |
| Max image | φ3.4 | |
| F/# | 2.0±5% | |
| EFL | 0.9±5% | |
| Relative illumination | 60% | |
| CRA | 16° | |
| FOV(°) | D | 230°±5° |
| | H | 230°±5° |
| | V | 230°±5° |
| FEL (R (t=0.3)in | + 1.48±0.2 | |
| (Cover glass(t=0.3)in) | | |
| BFL (R (t=0.3)in | + 2.38±0.2 | |
| (Cover glass(t=0.3)in) | | |
| Resolution | 8M | |
| TTL | 23.6±0.2 | |
| F-Theta | <3% | |
| Structure | 7G | |
| SURFACE QUALITY | | |
| Center | 80-50 | |
| Margin | 80-50 | |



| | | | | | |
|----|-----|--------------------|-----|------------|----|
| 版本 | 次数 | 更改文件号 | 担当 | 变更日期 | 批准 |
| △ | --- | C00801A2016092201 | CHP | 2016.09.22 | 审核 |
| △ | --- | C00801A20160100501 | CHP | 2016.10.05 | 校对 |

| | | | | | | | |
|---|--|--------------|--|-----------|--|----|-----|
| TOLERANCE: LINEARITY TOLERANCES ±0.05 ANGULAR TOLERANCES ARE+30° DRAFT ANGLES AREA+0.5°/SIDE | | 三棱法 | | 材料(环保) | | 单位 | 比例 |
| 设计 | | CHP | | 2016-8-22 | | mm | 3:1 |
| 审核 | | | | | | | 页码 |
| 批准 | | | | | | | 1/1 |
| 版本 | | C00801A SPEC | | | | | 版本 |
| | | | | | | | V2 |

